



ICE TRANSPORT

MODEL 4 x 8



**We're With You Every
Degree Of The Way**





ICE TRANSPORT

MODEL 4 x 8

PRODUCT SPECIFICATIONS

Standard Model Numbers

Auto Defrost – R404a:	4X8 AD
Cold Wall – R404a:	4X8 CP

Dimensions & Capacities

7 lb. Bags - Auto Defrost:	390
20 lb. Bags - Auto Defrost:	150
7 lb. Bags - Cold Wall:	460
20 lb. Bags - Cold Wall:	180
Approx. Interior Cubic Feet:	140
Dimensions (W" x D" x H"):	48 x 96 x 71
Door Size (W" x H"):	25 x 67

Operating Temperature

(X°F - X°F):	16 - 20
Control:	Mechanical Control

Product Weight

Auto Defrost (lbs.):	1150
Cold Wall (lbs.):	1215

Electrical

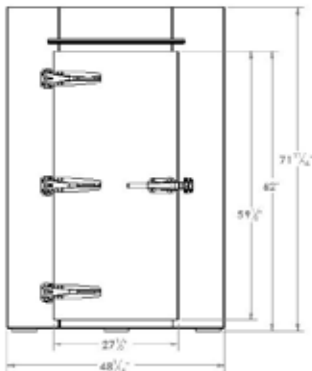
Voltage (V/Hz):	115 / 60
Min. Circuit Required (Amps):	20
Auto Defrost (Amps):	9.6
Cold Wall (Amps):	11.6
230V/50Hz Available:	Upon Request

Other

Compressor (HP):	1/2
Refrigerant:	R404a

1. Depth Does Not Include Compressor
2. Add 3.5" to Depth for Handle & Hinges

*Merchandise storage capacities are approximate and may vary due to type of ice, bag size, and methods of loading.



VIDEO LIBRARY leerinc.com/video-library



DIMENSIONAL DRAWINGS

