



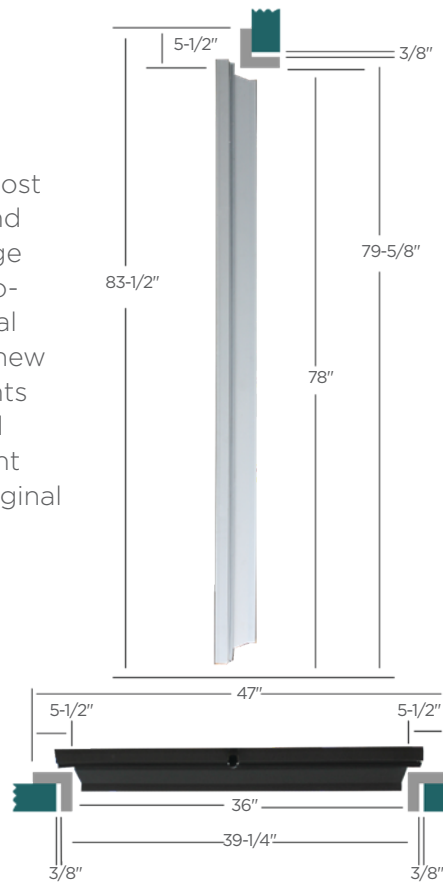
# Replacement Doors

## Soft Nose Walk-In Coolers & Freezers

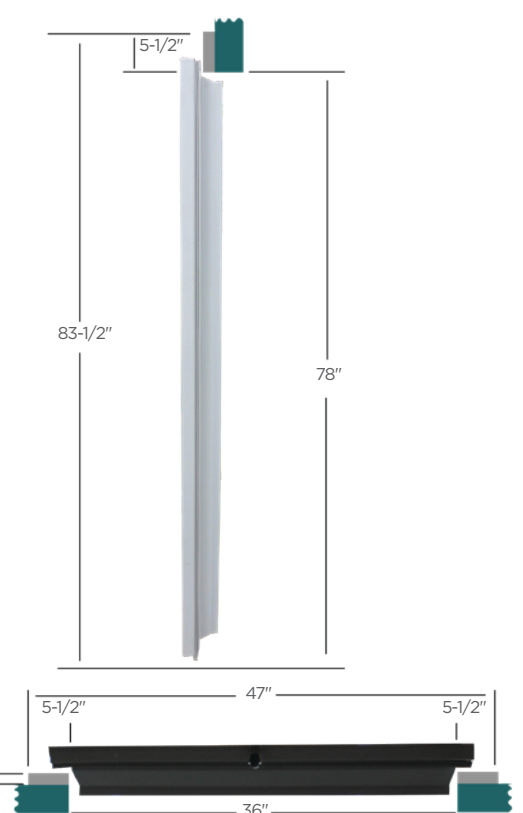
### Construction

Leer retrofit and replacement doors are designed and constructed to fit most every application and brand of cold storage units. These easy-to-install doors are ideal for replacement or new opening requirements and are constructed to the same stringent standards as our original cold storage doors.

Standard Jamb-Type Frame



Standard Face-Type Frame



### Standard Features:

- Pre-hung in jamb frame or face frame
- 26-gauge, stucco-embossed steel
- Class 1, urethane-insulated door
- Heavy-duty, brushed chrome hardware
- Cam lift spring-assisted hinges
- Lockable latch and safety release handle
- Magnetic door gasket and double-sweep gasket
- Replaceable, anti-condensate heat wire (freezer only)
- Constructed for cooler or freezer application
- Door closer

### Door Dimensions

Actual Door Opening	Door Swing Radius
18" W x 24" H	27"
24" W x 24" H	33"
24" W x 36" H	33"
30" W x 78" H	39"
36" W x 78" H	45"
36" W x 84" H	45"
42" W x 78" H	51"
42" W x 84" H	51"
48" W x 78" H	57"
48" W x 84" H	57"

# Replacement Doors

## Soft Nose Walk-In Coolers & Freezers

### General

Doors shall be designed and constructed for accurate installation, proper alignment and ease in operation.

#### Standard Door Construction:

- Doors shall consist of two formed metal sheets separated by and bonded to foamed-in-place urethane insulation and reinforced framing to form a rigid door.
- Each door shall be equipped with magnetic gasket around perimeter of door. It shall form an air-tight seal, be resistant on water, oil, sunlight and be easily replaced.
- An adjustable, double-blade, rubber sweep gasket shall be on bottom edge of door.

#### Insulation

Door shall be Class I, rigid, foamed-in-place urethane insulation with a minimum density of 2.2 pounds per cubic foot and a 97% closed cell structure.

#### Metal Finish

26-gauge, stucco-embossed steel (galvanized) shall be used on the interior and exterior of the door and frame. Optional finishes available:

- .032, stucco-embossed aluminum
- 26-gauge, stucco white, pre-painted steel
- 24-gauge galvanneal (used for spec. paint)
- 24-gauge, stainless steel type 304 No. 4 finish

Other gauges, finishes and material available upon request

#### Door Hardware

- Hinges for door size 30" x 78" through 48" x 84" shall be brushed chrome, heavy-duty, cam lift spring assisted. Third hinge installed on doors 48" wide and larger and is optional on smaller doors.
- Latches for all door sizes shall be brushed chrome with a inside safety release handle and provision for padlocks.

#### Door Jamb

- Jamb shall be made of kiln-dried wood that is sealed and covered with metal to match door unless otherwise specified.
- All standard freezer door jambs shall be fitted with a 115-volt, anti-freeze heat wire.  
A metal strip shall conceal heat-wire.

#### C. Standard Opening Sizes:

30" x 78"	36" x 78"	36" x 84"	42" x 78"
42" x 84"	48" x 78"	48" x 84"	54" x 78"
54" x 84"	58" x 78"	58" x 84"	

#### Door Closer

To assure door will be completely closed whenever it is left ajar, a hydraulic, chrome-plated door closer shall be installed on door sizes 30" x 78" through 48" x 84".

#### Reach-in Doors

- Construction shall be same as standard door.
- Insulation shall be same type and thickness as used in standard door.
- Metal finish shall be same as used on standard door.
- Door Hinges and latch shall be same as used on standard door.
- Door Jamb shall be same as standard door.
- Standard opening sizes: 24" x 36", 24" x 24", 18" x 24".  
Other sizes available upon request.

#### Installation

Instructions for door assembly shall be supplied for all doors. A tube of vapor-proof sealant shall be provided; when necessary, drawings and hardware shall be included for optional requirements.

### Options

#### Door in Face Frame

When door jamb is not required, a face frame only shall be made to mount door. Construction shall be same as door jamb.

#### Door Plug

When no framing is required and installation is directly to jamb opening, a door plug shall be made and constructed with or without hardware as required. (Available on Leer Walk-Ins only)

#### Door Drip Cap

Recommended for doors installed outdoors to keep rain, sleet, and snow away from door gasket. Drip Cap shall be same material and finish as the door.

#### Vision Window

To provide visibility through door, a 14" x 14" or 14" x 24" triple-pane, tempered safety glass vision window shall be installed in door. A heated glass window shall be installed for freezer applications. Window shall be mounted in center of door at eye level and easily replaced.

#### Locking Hasp

For use when extra security is required. A steal bar prevents door from being opened even if door hardware is removed. An interior safety release shall be included.

#### Cylinder Lock Latch

When required, a latch with cylinder lock shall be installed and furnished with two keys.

#### Kickplates

To protect interior and/or exterior of doors, 16-gauge stainless steel or 1/8" diamond aluminum tread plate shall be installed 3' high for protection from excessive bumping of carts or hand trucks.

#### Tamper-Proof Hardware

For security when required, tamper-proof attachment screws shall be installed with hinges and latch with special tool included.

#### Flush Release Handle

For use when standard safety handle may be obstructive, a flush safety release shall be installed.

#### Jamb Trim and Interior Face Trim

To provide an interior finished door installation, jamb and interior face trim shall match interior door finish and be made to cover existing jamb wall material.

#### Warranty

Leer warrants original purchaser that doors are free of defects in material and workmanship for a period of one year. Original components (hardware, electrical and options) are warranted against defects in material and workmanship for a period of one year. See terms of sale and warranty for complete information.

Material and product improvement is a continuous commitment at Leer, Inc. These specifications are subject to modification and/or change without notice.

Leer, Inc. is the world's leading manufacturer of retail ice merchandising equipment and walk-in coolers distributed under the Leer® and Carroll Coolers brand names. We are an employee owned company with a rich heritage of producing award-winning products since 1952, results are driven by our dedication to engineering research, quality service and manufacturing excellence. Leer is committed to consistent improvement in order to better serve our customers with top-of-the-line ice merchandisers and custom walk-in coolers and freezers.



An Employee Owned Company

**Leer Inc.**  
206 Leer St.  
New Lisbon, WI 53950  
Phone: 888.766.5337  
Fax: 608.562.3166  
[www.leerinc.com](http://www.leerinc.com)

MADE IN THE USA

