



Keeping America Cool Since 1952

Model 85

Classic Indoor Ice Merchandisers



Capacity

- 85 Cubic Feet (*approx.*)

Outside Dimensions

- Width 84"
- Depth 35-1/2"
- Height 76-1/2"

Attributes

- 28" x 47" Triple Pane Glass Door
- 1/2 Horsepower Compressor
- 8.1 Amps

Models Available

- Cold Wall
Capacity: 190 10 lb. Bags (*approx.*)
- Auto Defrost
Capacity: 160 10 lb. Bags (*approx.*)

Standard features:

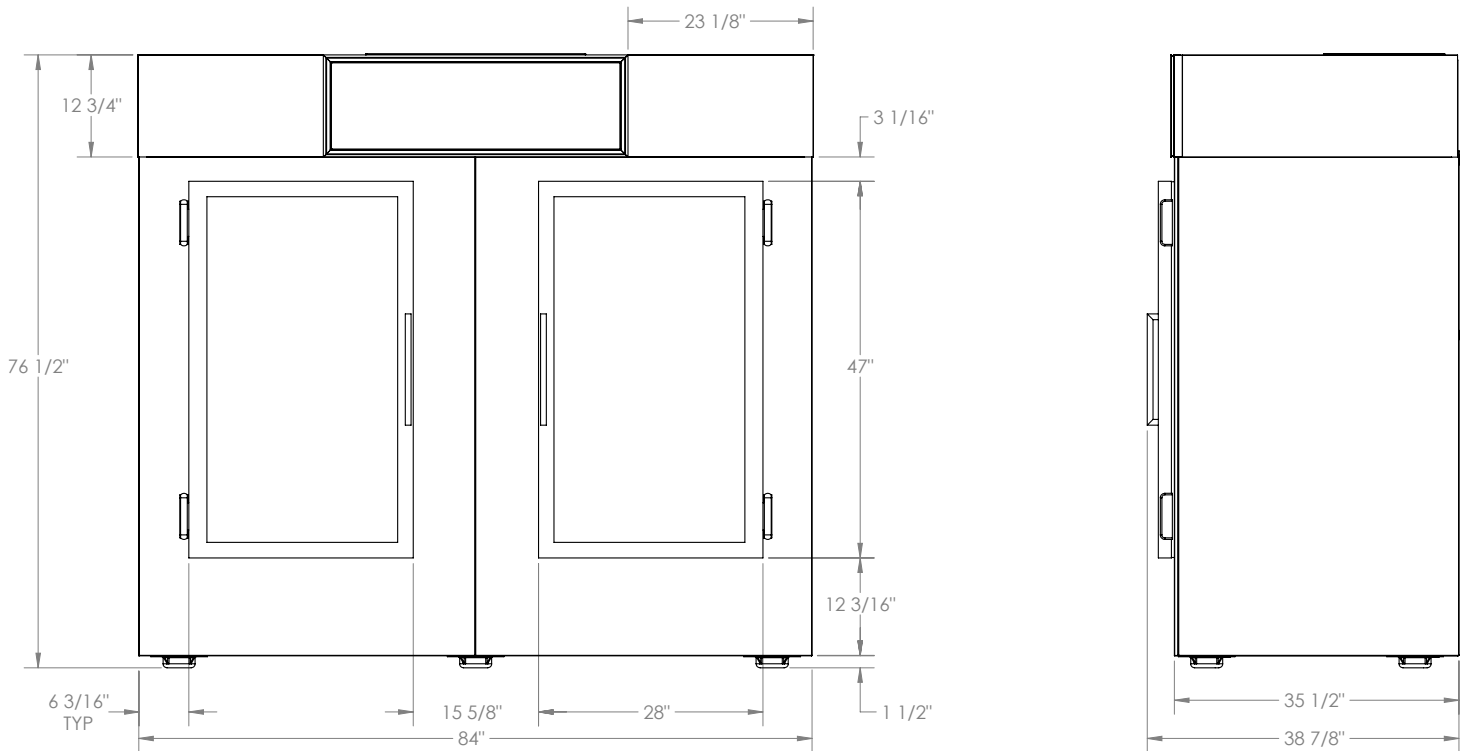
- Water-tight lock-form seam construction for a stronger and more durable cabinet with all steel construction.
 - Premier quality construction with the straightest edges and minimal foam bleed.
 - 'Box Frame' constructed for optimal strength and increased resistance to freight damage.
- Indoor units are fitted with large, triple pane, tempered safety glass doors.
- 70% more open air channels than other brands to provide air flow.
- Two-part acrylic polyurethane coating offers mid-range gloss and excellent weather ability. Epoxy primer formulated to have excellent adhesion and corrosion and humidity resistance.
- PVC bottom skid plates for non-marking of floor surfaces.
- Door openings feature high impact vinyl breaker strips to provide better impact resistance and greater durability to handle harsh conditions.
- Drain plug - recessed drain for easier and complete water draining.
- Wrap around full top and compressor cover help to protect from unexpected debris.
- Easily accessible refrigeration service valves.
- Low temperature sealed condensing units.
- Drop-down unit cooler allows ease of service.
- Now featuring electronic controls.
- LED interior lighting.
- Packaged with non-marking corner protective V-boards and dust cover for dirt/debris protection.

Options

- Customized exterior paint, logos and wraps
- Blue "ICE" decals
- Bumper guards
- Diamond plate trim
- Marquee LED glass door visual display with color options
- Gold or Black glass frame door
- Remote refrigeration
- Reverse fan self-cleaning condensing unit
- Heavy-duty refrigeration available for automatic defrost models
- Call for additional options!
(800)-766-5337

Model 85

Classic Indoor Ice Merchandisers



Cold Wall Shipping Weight 590 lbs. (approx.)
Auto Defrost Shipping Weight 630 lbs. (approx.)

We maximize efficiency in our efforts to be **Green**

- 3" floor insulation and 2.5" ceiling and wall insulation for increased R value over other brands
- Leer merchandisers meet Department of Energy (DOE) energy conservation standards
- Recyclable shipping materials
- Reduced operating costs - up to a 30% energy savings over other brands
- NSF Approved indoor and outdoor units now available

Leer has been designing, building and improving ice merchandisers since 1952. We keep a large inventory of finished goods and replacement parts on hand at all times. Over 50 models of merchandisers, including cash-less self-vending machines are available from stock and through our distribution partners.



An Employee Owned Company

Leer Inc.
206 Leer St.
New Lisbon, WI 53950
Phone: 800.766.5337
Fax: 608.562.6022
www.leerinc.com